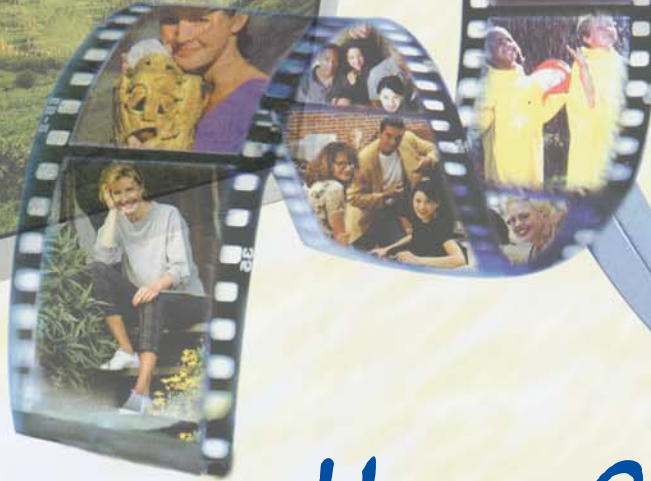
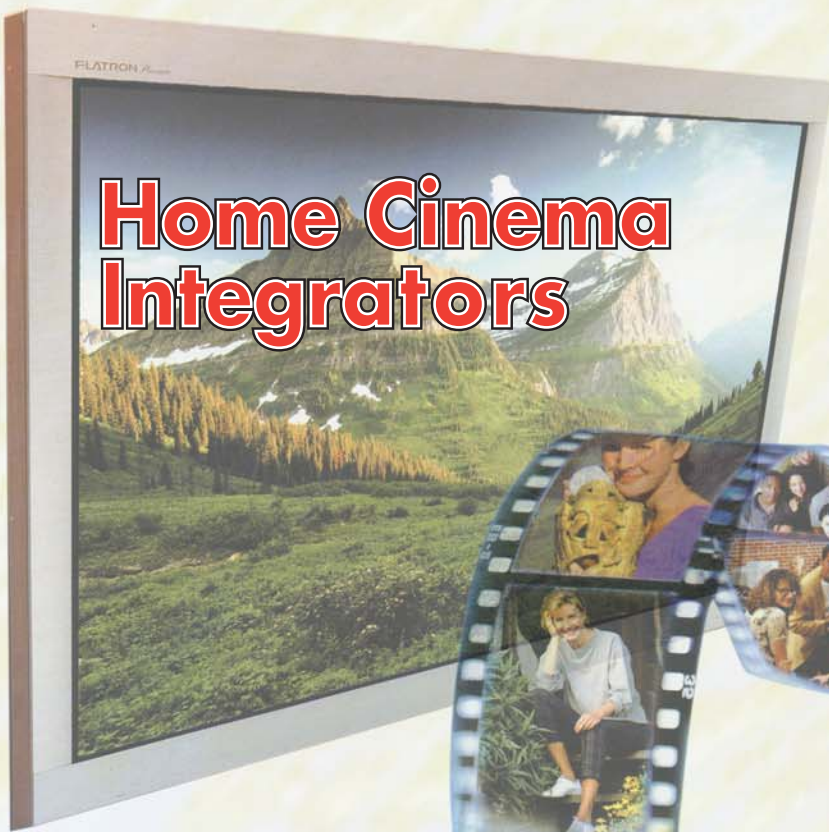


Home Cinema Integrators



Living Room or Home Cinema?



...both

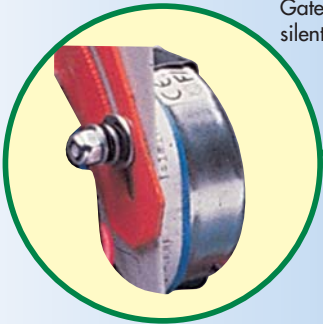


The perfect solution or...how to transform your living

Advantages



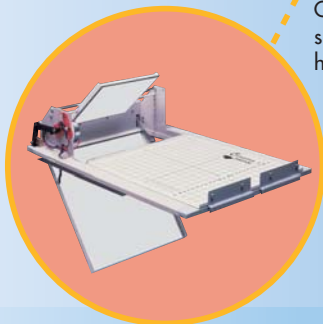
Control of the image height



Gate's ultra silent engine



Precision with the image micro-adjustment



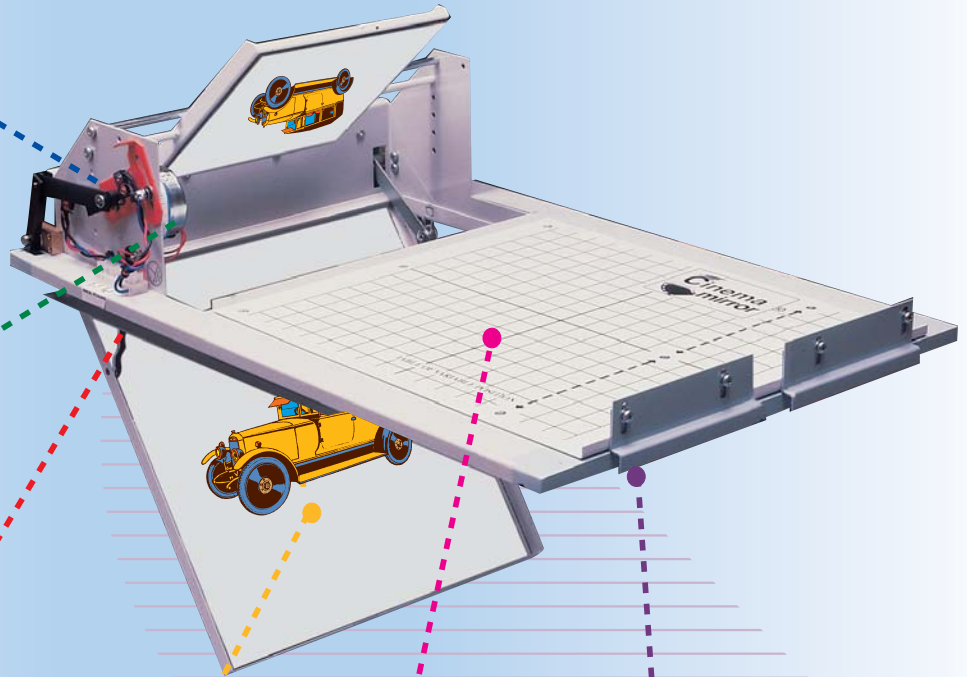
Optical first surface mirrors highly reflexive



Compatible pan with all LCD/DLP projector brands (+90%)



Ceilings adapting part



to hide DLP-LCD projectors room in a Home Cinema with a professional touch



Defects

Why showing your DLP-LCD projector cables and ironmongery?. If your home does not show any of its water, gas, heating or electricity conductions, give to your good taste and your room decoration a present.

Only for demanding film fans

The exclusive technology of **Cinema Mirror®**, leaves your ceilings without any trace of the installation, you will harmoniously share your dreamt images with your living room decoration. You will be surprised with the images that you will see when having your projector installed with Cinema Mirror. You won't see the projector: you will just see its advantages. You will not hear the projector's fan, and you will just enjoy the quality of your video-audio programs. A little door (32x32 cm.) painted in the ceiling's colour, will hide from your sight all the installation cables and ironmongery.

- Two optical mirrors of the highest quality guarantee perfect images and graphics (PC) without any distortion or double imaging, and with a minimum loss of luminosity.
- The optical reflection of Cinema Mirror softens the TV lines, helping to project images more uniformly.
- You just need a minimum height difference of 17 cm. between the original and the false ceiling to be able to install Cinema Mirror.



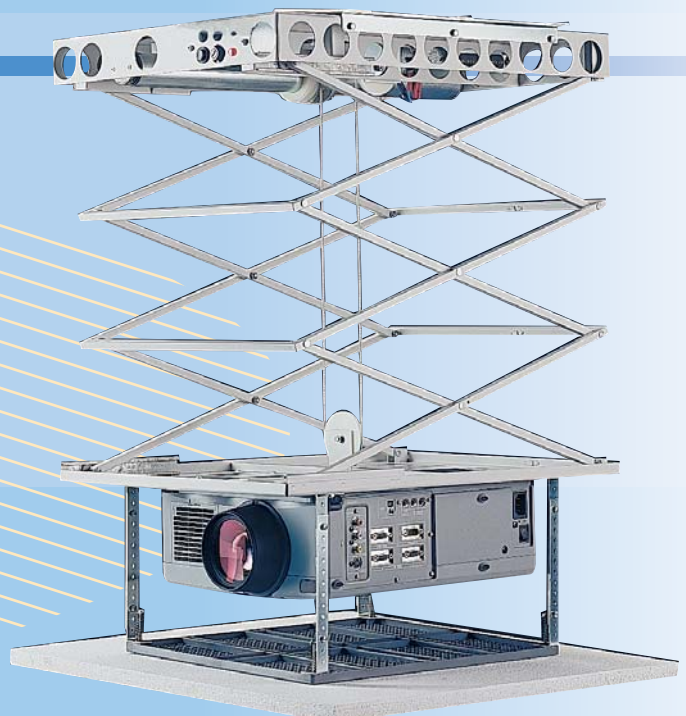
Lift

Video Lift®

Video Lift is a necessary system in LCD and DLP projectors intallations to solve the height differences between the screen and the projector. It will help you to solve any technical or architectural obstacle, and to keep hidden all the cables and machinery inside of the false ceiling after the presentations, allowing you to maintain the aesthetic and decoration of your room, due to the projector is occult.

Video Lift has high reliable mechanical elements to fasten projectors up to 19 Kgs.

For projector up to 30 Kgs. you can order your Video Lift with the VL-30K reinforcement.



HC37.53 UE HC37.53 US

Just 17 cm. needed

Overhead projection system endowed with 2 clear silver substrate vacuum coated on one surface mirrors, set with a 0,05 mm. film in the front surface. Minimum reflectance performance of 94% over a wavelength of 500 nm.

Reinforced chasis with three solded beams, that contribute to the equipment rigidity, and reduce the structural weight.

HC37.53 UE 200/240 V, 50 Hz, 10 W

HC37.53 US 100/120 V, 60 Hz, 10 W

Opening/closing: via button (not included) 4 sec.

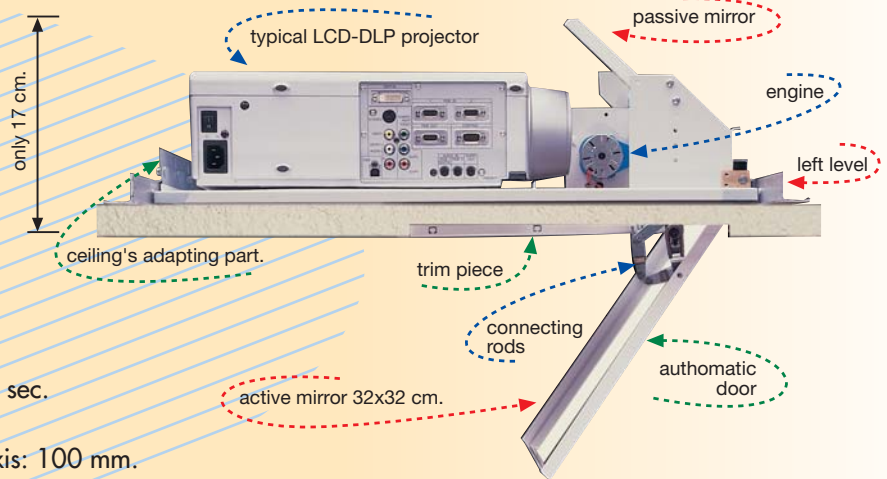
Minimum height for installation: 17 cm.

Maximum height of the projectors's optical axis: 100 mm.

Maximum projector length: 454 mm.

Dimensions: 61 cm. long, 39,3 cm. wide. Weight: 7,150 Kg.

Gate dimensions: 32x32 cm.



LxW= 645X645 mm.



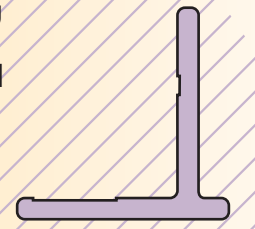
Frame Kit HC60.60. Accesories for installation

Four aluminium sections, squares, screws, etc. to build a frame that replace the technical ceiling outlines (Armstrong or similar), and gives a professional ending and support in plaster and wood ceiling for Cinema Mirror installations.

It also solves the Video Lift installation endings.

Inside dimensions: 595x595 mm.

Outside dimensions: 645x645 mm.



Real dimension of the section



Video Lift VL100 y VL200 characteristics

Max. displacement model VL100	105 cm.
Max. displacement model VL200	210 cm.
Maximum load (*)	19 Kg.
Running time	1 meter in 45 sec.
Noise level	< 30 db
Up run stops	Yes
Down run stops	Yes
Electrical/mechanical protection	5 Amp./ Yes
Electric insulation	1.000 V

Consumption	105 W/0,5 Amp.
Mains	200-230 V/50 Hz
Dimensions (VL100) LxDxH	40x55x11 cm.
Dimensions (VL200) LxDxH	40x55x14 cm.
Weight (VL100)	13,0 Kgs.
Weight (VL200)	15,5 Kgs.

(*) Reinforcement up to 30 Kgs. under demand (ref. VL-30 K).
3 Years guarantee of mechanical and electrical.



D-Dorfstraße 1 D-56288 Braunschorn

Deutschland
Herr Boris Tamm
Telefon: 0700 - 80 808 007
Telefax: 0700 - 90 909 007
email: info@image.ag

International
Mr. Michael Liesenfeld
Phone: +49 - 700 - 400 500 66
Fax: +49 - 700 - 700 800 99
email: info@image.ag