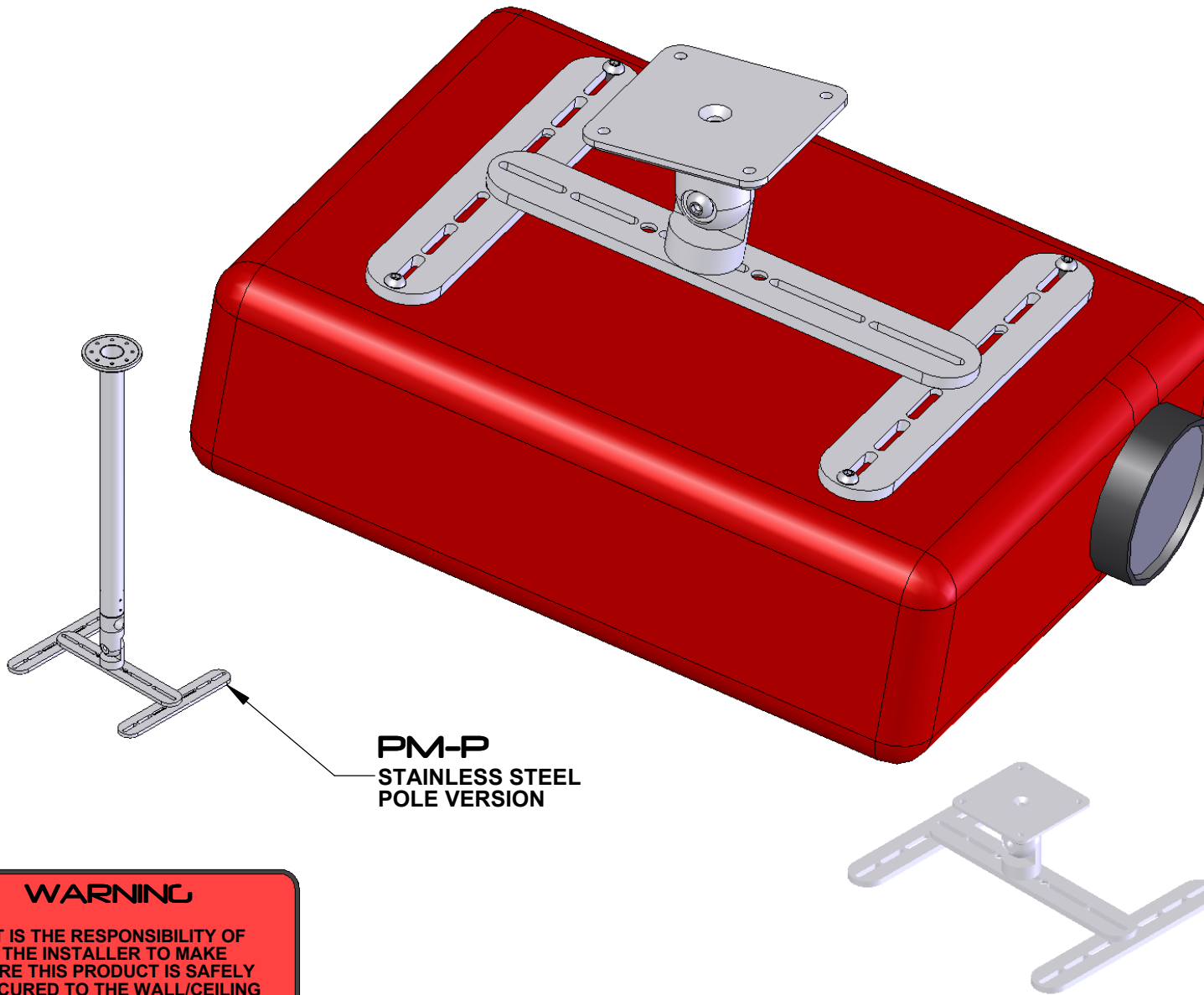


PM - PROJECTOR MOUNT



PM-P
STAINLESS STEEL
POLE VERSION

WARNING

IT IS THE RESPONSIBILITY OF
THE INSTALLER TO MAKE
SURE THIS PRODUCT IS SAFELY
SECURED TO THE WALL/CEILING

FUNCTION

A BRUSHED ALUMINIUM CEILING
MOUNT FOR PROJECTORS.

HAS TILT AND SWIVEL FUNCTION
TO AID IN SETTING UP.

SUITABILITY

HAS ADJUSTABLE ARMS TO SUIT
PROJECTORS WITH A BOLT PATTERN
OF 3 OR 4 BOLTS. UP TO A MAXIMUM
DISTANCE APART AS SHOWN
ON THE NEXT SHEET.

CUSTOM VERSIONS AVAILABLE
A LONG WITH A POLE MOUNTED
VERSION.

SPECIFYING

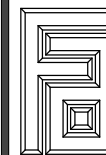
CHECK CEILING MAKE UP FOR
SUITABILITY.

CHECK HEIGHTS/DISTANCE.

CEILING FIXINGS

NO CEILING FIXINGS SUPPLIED WITH
THIS PRODUCT. CONSIDER WOOD
SCREWS INTO BEAMS.

www.futureautomation.co.uk

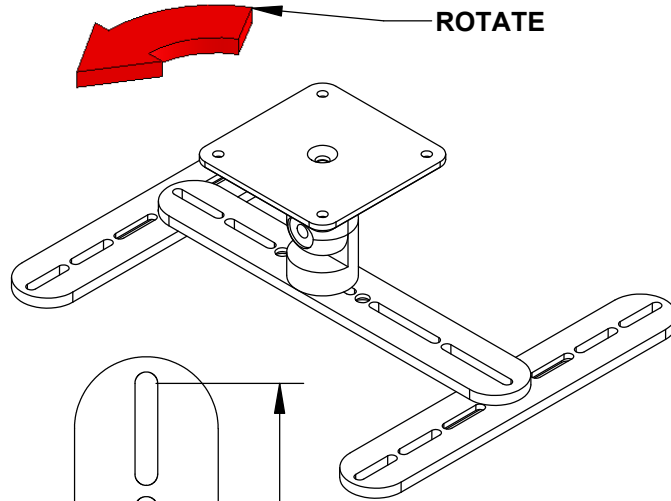
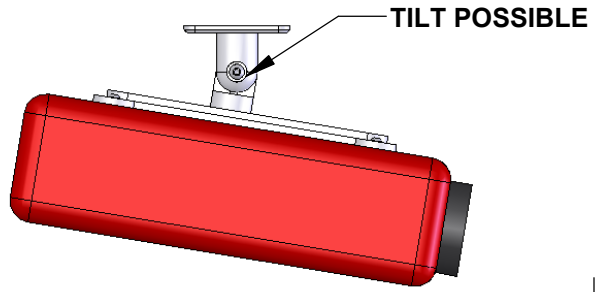


PM
PROJECTOR
MOUNT

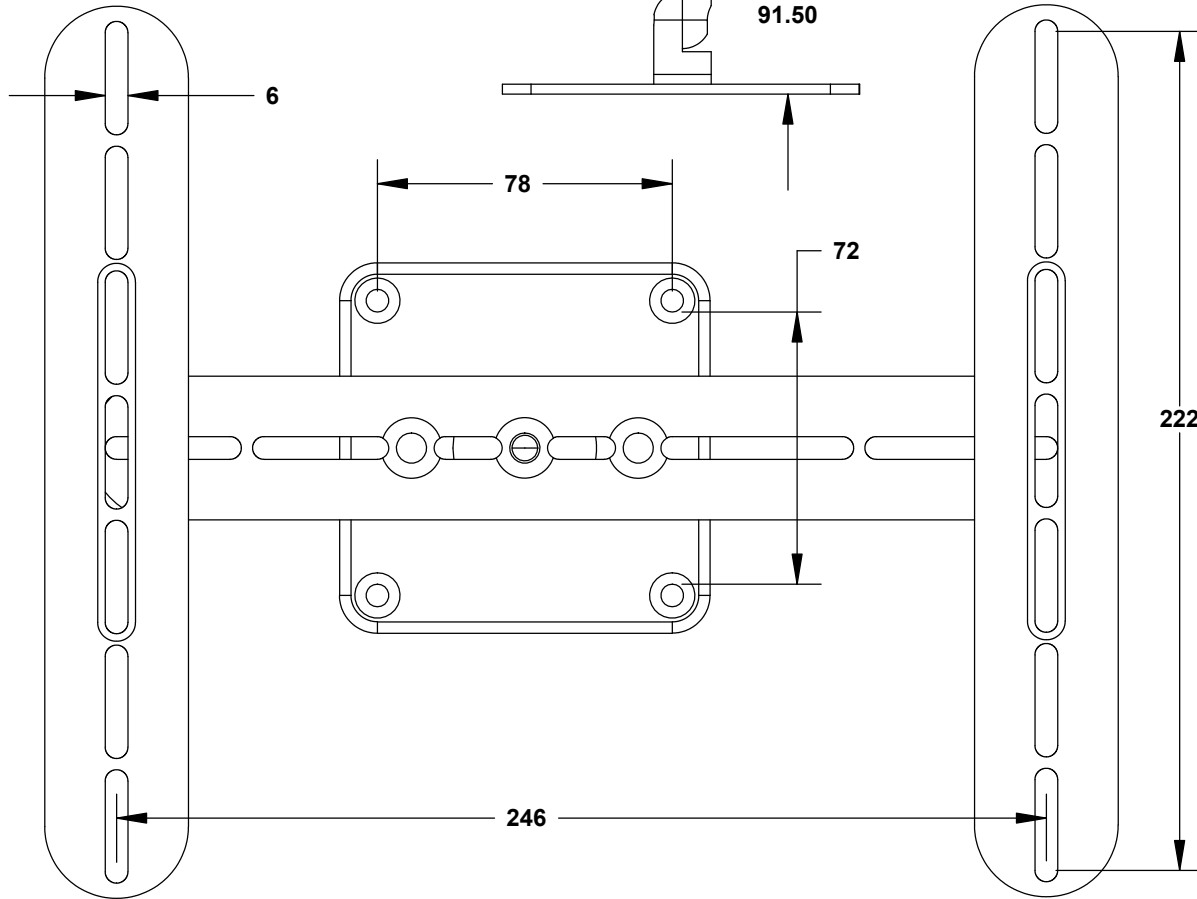
20/05/2005

Sheet 1 of 2

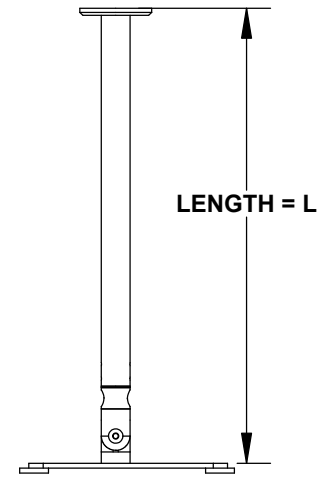
PM



BOTTOM VIEW



POLE VERSION

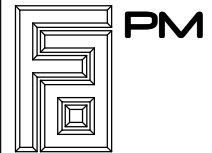


See CM Tech Sheet
for mounting options

NOTES

SUPPLIED WITH AN
ASSORTMENT OF M4, M5
AND M6 BOLTS AND
SPACERS.

www.futureautomation.co.uk



20/05/2005

Sheet 2 of 2